

40. Exchange Syntax and Textual DSLs using EMFText

1

Florian Heidenreich, Jendrik
Johannes, Sven Karol, Mirko
Seifert, Christian Wende, Uwe
Aßmann

Version 12-0-0.3, 10/22/12

- 1) What is a DSL?
- 2) How to build a DSL
 - 1) Defining/Using a meta model
 - 2) Syntax Definition
 - 1) Generating an initial syntax (HUTN)
 - 3) Refining the syntax
- 3) Advanced features
 - 1) Mapping text to data types
 - 2) Reference resolving
 - 3) Syntax modules (Import and Reuse)
 - 4) Interpretation vs. Compilatio
- 4) Integrating DSLs and GPLs
- 5) Other DSL examples in the Zoo
- 6) Conclusion



Softwareentwicklungswerkzeuge (SEW) © Prof. Uwe Aßmann

Literature

2

- ▶ <http://www.emfext.org>
- ▶ http://www.emfext.org/index.php/EMFText_Publications
- ▶ Florian Heidenreich, Jendrik Johannes, Sven Karol, Mirko Seifert and Christian Wende. Derivation and Refinement of Textual Syntax for Models. In Proc. of the 5th European Conference on Model-Driven Architecture Foundations and Applications (ECMDA-FA 2009).
- ▶ Mirko Seifert and Christian Werner. Specification of Triple Graph Grammar Rules using Textual Concrete Syntax. 7th International Fujaba Days, 2009
- ▶ Florian Heidenreich, Jendrik Johannes, Mirko Seifert and Christian Wende. Construct to Reconstruct - Reverse Engineering Java Code with JaMoPP. In Proc. of the International Workshop on Reverse Engineering Models from Software Artifacts (R.E.M.'09).
- ▶ Florian Heidenreich, Jendrik Johannes, Mirko Seifert and Christian Wende. Closing the Gap between Modelling and Java Tool demonstration at the 2nd International Conference on Software Language Engineering (SLE'09).
- ▶ Florian Heidenreich, Jendrik Johannes, Mirko Seifert, Christian Wende and Marcel Böhme. Generating Safe Template Languages. In Proc. of the 8th International Conference on Generative Programming and Component Engineering (GPCE 2009).
- ▶ Christian Wende and Florian Heidenreich. A Model-based Product-Line for Scalable Ontology Languages. In Proc. of the 1st International Workshop on Model-Driven Product-Line Engineering (MDPLE 2009) collocated with ECMDA-FA 2009. Enschede, The Netherlands, June 2009.
- ▶ Mirko Seifert and Roland Samlaus. Static Source Code Analysis using OCL. In Proc. of OCL Workshop 2008 at MODELS 2008
- ▶ Jakob Henriksson, Florian Heidenreich, Jendrik Johannes, Steffen Zschaler and Uwe Aßmann. Extending Grammars and Metamodels for Reuse -- The Reuseware Approach. IET Software Journal 2008.



40.1 What is a DSL?

3

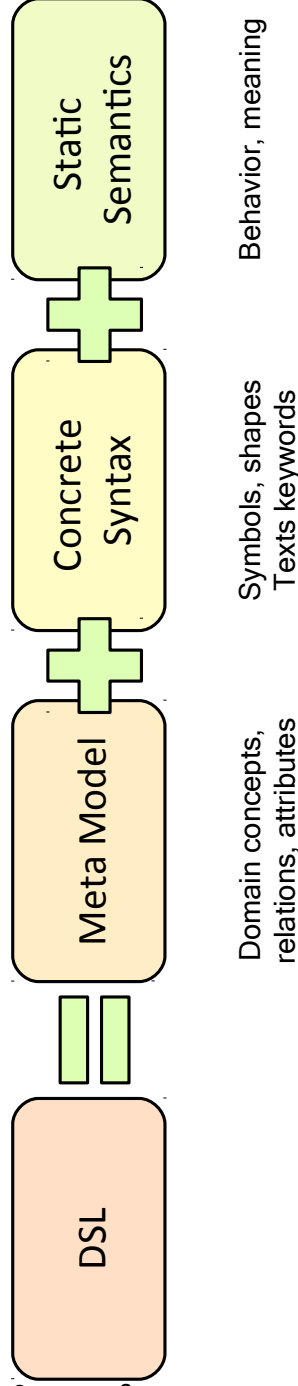


Softwareentwicklungswerkzeuge (SEW) © Prof. Uwe Aßmann

What's in a Domain-Specific Language (DSL)?

4

Prof. U. Aßmann, Softwareentwicklungswerkzeuge (SEW)



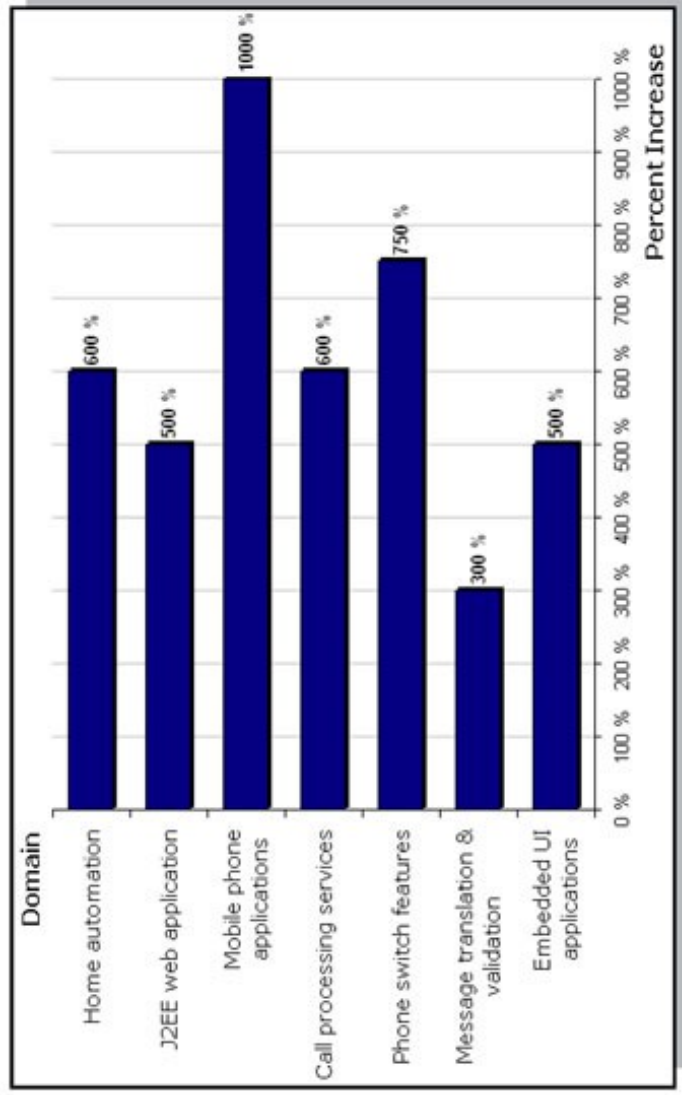
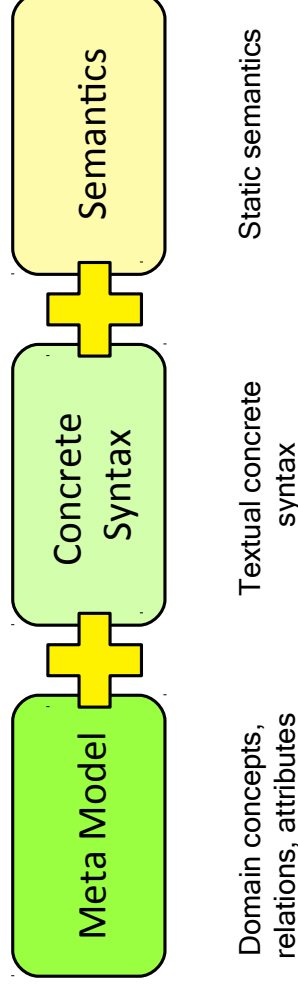


Figure 3: Measured productivity improvements in various domains

Juha-Pekka Tolvanen. Domain-Specific Modeling for Full Code Generation. January 2010. Vol. 12, Number 4. <http://journal.thedacs.com/issue/52/144>

What is a Textual Domain-Specific Language (DSL)?

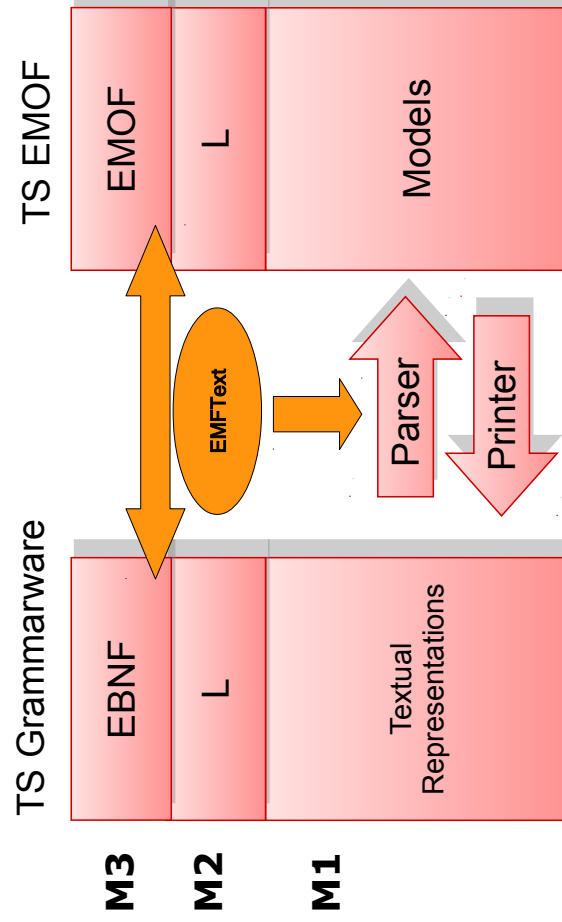
- ▶ EMFText relates a concrete syntax specification (grammar in EBNF) to a EMOF/Ecore-based metamodel.
- ▶ From this language mapping, printers, parsers and editors for a DSL can be generated



Textual DSL rely on a Transformation Bridge from EMOF to Grammarware

7

- EMFText relates a concrete syntax specification (grammar in EBNF) to a EMOF/Ecore-based metamodel.
- From this language mapping, printers (unparsers), parsers and editors are generated
- EMFText can be used to produce normative concrete syntax for exchange formats



Motivation – Why DSLs?

8

- + Use the concepts and idioms of a domain
- + Domain experts can understand, validate and modify DSL programs
- + Concise and self-documenting
- + Higher level of abstraction
- + Can enhance productivity, reliability, maintainability and portability
- + Embody domain knowledge, enabling the conservation and reuse of this knowledge

But:

- Costs of design, implementation and maintenance
- Costs of education for users
- Limited availability of DSLs

From: <http://homepages.cwi.nl/~arie/papers/dslbib/>



Motivation – Why textual syntax?

9

Why use textual syntax for models?

- Readability
- Diff/Merge/VCS
- Evolution
- Tool autonomy
- Quick model instantiation

Why create models from text?

- Tool reuse (e.g., to perform transformations (ATL) or analysis (OCL))
- Know-how reuse
- Explicit representation of text document structure
- Tracing software artifacts
- Graphs instead of strings

Be aware: exchange syntax is like a textual DSL

Philosophy and Goals

10

Design principles:

- Convention over Configuration
- Provide defaults wherever possible
- Allow customization for all parts of a syntax

Syntax definition should be

- Simple and easy for small DSLs
- Yet powerful for complex languages

Generation Features

- Generation of independent code
- Generation of Default Syntax
- Customizable Code Generation

Specification Features

- Modular Specification
- Default Reference Resolving
- Comprehensive Syntax Analysis

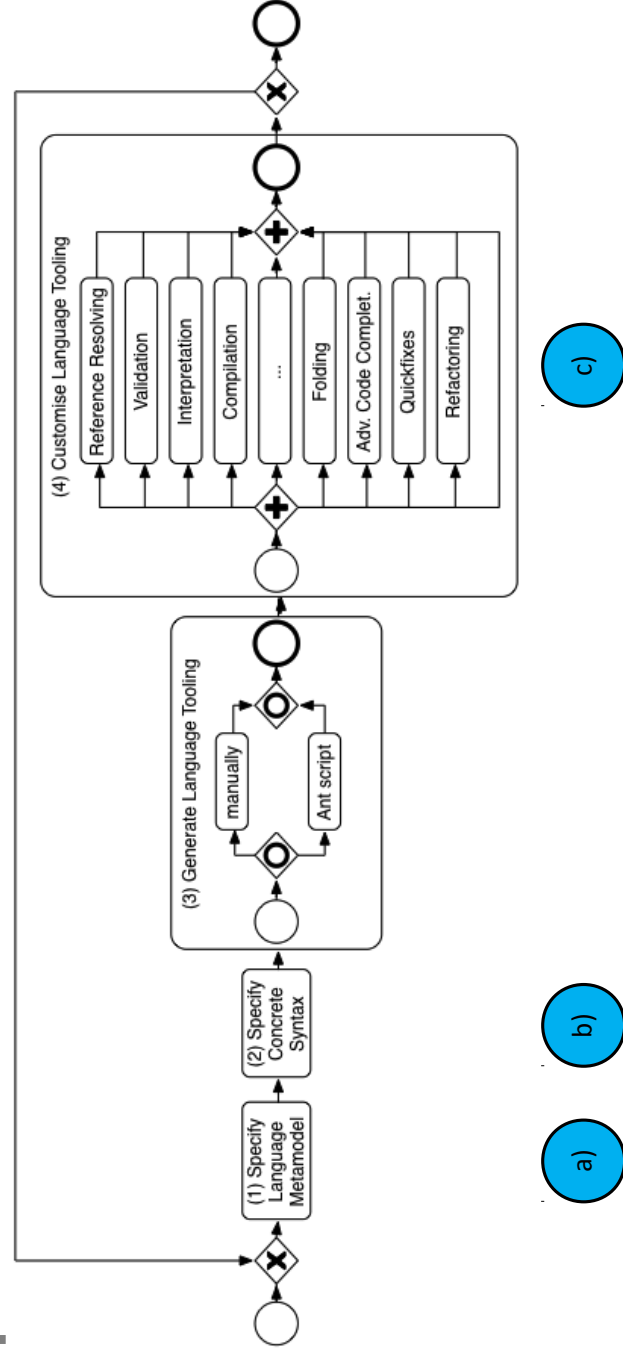
Editor Features

- Code Completion, Customizable Syntax and Occurrence Highlighting, Code Folding, Error Marking, Hyperlinks, Text Hovers, Outline View, ...

Other Highlights

- ANT Support, Post Processors, Builder, Interpreter and Debugger Stubs, Quick Fixes

EMFText Language Development Process



40.2 How to Build a DSL

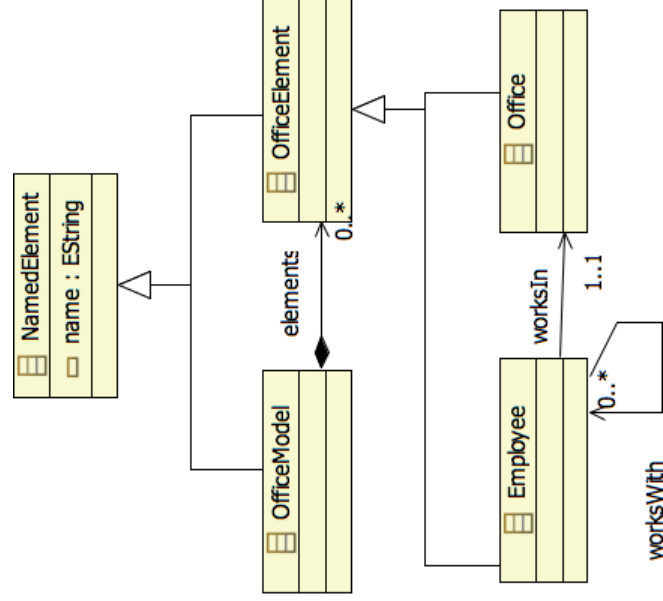
13

How to build a DSL – Meta model

14

a)

- Creating a new meta model:
- ▶ Define concepts, relations and properties in an Ecore model
 - ▶ Existing meta models can be imported (e.g., UML, Ecore, ...)



How to build a DSL – Meta model

15

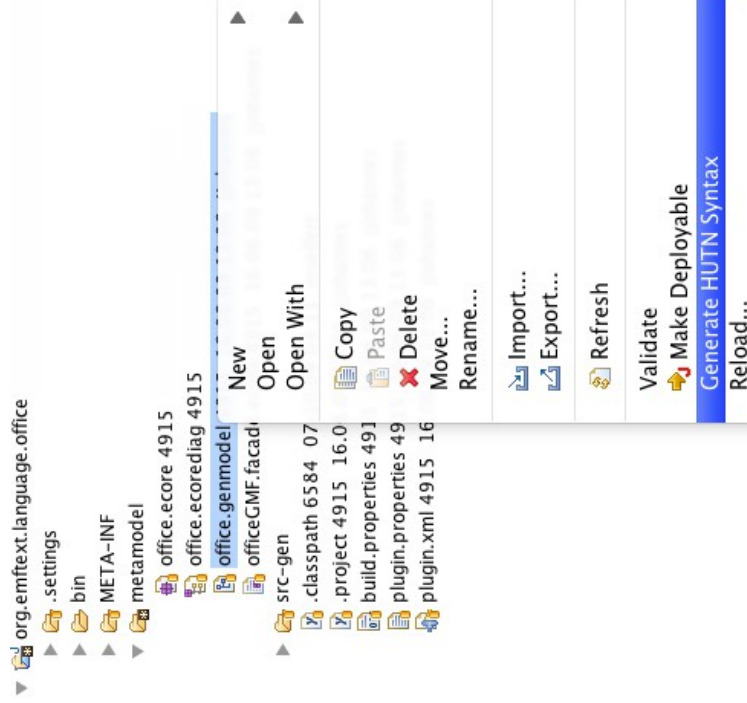
Meta model elements:

- Classes
- Data Types
- Enumerations
- Attributes
- References (Containment, Non-containment)
- Cardinalities
- Inheritance



Generate initial syntax (Human Usable Text Notation)

16



Initial HUTN syntax

17

```
office.cs |SYNTAXDEF office
FOR -http://emtext.org/office>
START OfficeModel

TOKENS{
  DEFINE COMMENTS'//(-<\n!'\u{ffff})*$;
  DEFINE INTEGERS'(-)?(1|'9')(0|'9')*1'0'$.;
  DEFINE FLOATS'(-)?((1|'9')(0|'9')*(0|'9')+'.'(0|'9')+)$;
}

TOKENSTYLES{
  "OfficeModel" COLOR #7F0055, BOLD;
  "name" COLOR #7F0055, BOLD;
  "elements" COLOR #7F0055, BOLD;
  "Employee" COLOR #7F0055, BOLD;
  "worksIn" COLOR #7F0055, BOLD;
  "worksWith" COLOR #7F0055, BOLD;
  "Office" COLOR #7F0055, BOLD;
}

RULES{
  OfficeModel::="OfficeModel" "{" ("name" ":" name["...", "..."] | "elements" ":" elements )*" }";
  Employee::="Employee" "{" ("name" ":" name["...", "..."] | "worksIn" ":" worksIn["...", "..."] | "worksWith" ":" worksWith["...", "..."] )*" }";
  Office::="Office" "{" ("name" ":" name["...", "..."] )*" }";
}
```



Initial HUTN syntax – Example Document

18

```
st.office
OfficeModel {
  name : "SoftwareTechnology"
  elements :
  Office {
    name : "INF2080"
  }
  elements :
  Office {
    name : "INF2084"
  }
  elements :
  Employee {
    name : "Florian"
    worksIn : INF2080
    worksWith : Jendrik
  }
  elements :
  Employee {
    name : "Jendrik"
    worksIn : INF2084
    worksWith : Florian
  }
}
```



b)

Syntax refinement – The Concrete Syntax Language

CS

19

Structure of a .cs file:

- Header
- File extension
- Meta model namespace URI, *location*
- Start element(s)
- *Imports (meta models, other syntax definitions)*
- *Options*
- *Token Definitions*
- Syntax Rules

Prof. U. Armann, Softwareentwicklungswerkzeuge (SEW)



b)



Syntax refinement – Syntax rules in EBNF

20

▶ One syntax rule per meta class defines the *language mapping* between EBNF and EMF metaclasses

- Syntax: MetaClassName ::= *Syntax Definition* ;

▶ All concept mappings define a *language mapping*

▶ Definition elements in EBNF rules:

- Static strings (keywords) "public"
- Choices a|b
- Multiplicities +,*
- Compounds (ab)
- Terminals a[] (Non-containment references, attributes)
- Non-terminals a (Containment references)

Prof. U. Armann, Softwareentwicklungswerkzeuge (SEW)



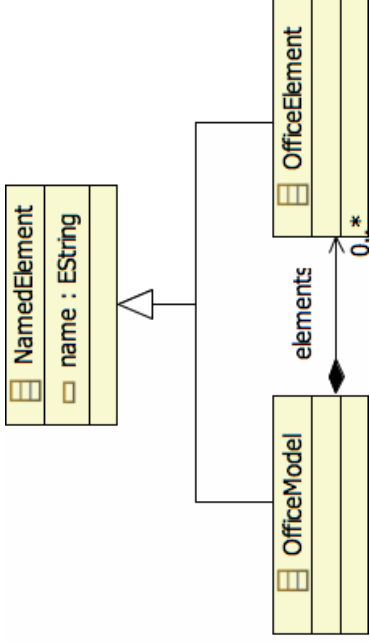
b)

Customized Syntax Rules - Examples

21

```
OfficeModel ::= "OfficeModel" name[]
              "{" elements* "}" ;
```

```
officemodel SoftwareTechnology {
    ...
}
```



Customized Syntax Rules - Examples

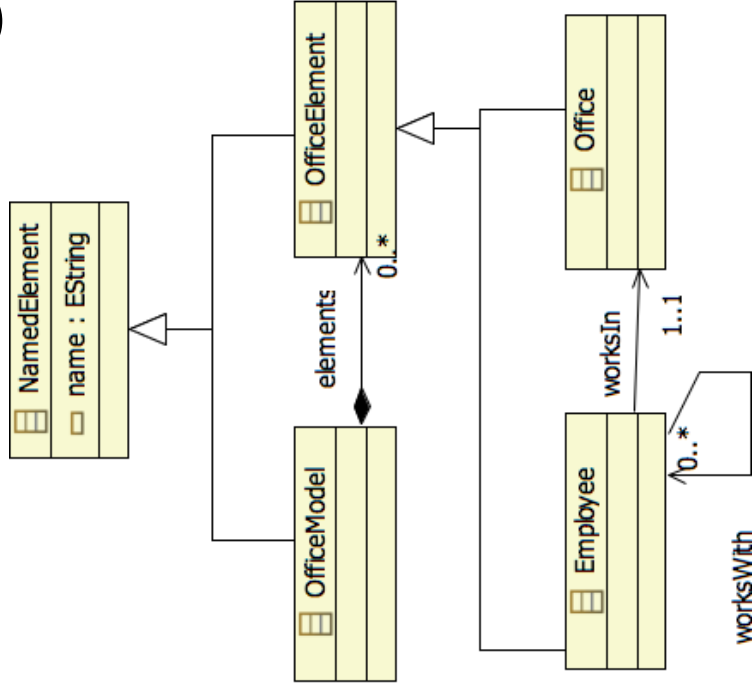
22

```
OfficeModel ::= "officemodel" name[]
              "{" elements* "}" ;
```

```
Employee ::= "employee" name[]
            "works" "in" worksIn[]
            "works" "with" worksWith[]
            (",", " worksWith[])* ;
```

```
Office ::= "office" name[] ;
```

```
officemodel SoftwareTechnology {
    office INF2080
    employee Florian
    works in INF2080
}
```



b)

b)

Complete Customized Syntax

23



```
office.cs
SYNTAXDEF office
FOR <http://emftext.org/office>
START OfficeModel

OPTIONS {
  generateCodeFromGeneratorModel = "true";
}

RULES {
  OfficeModel ::= "officemodel" name[]
               "{" elements* "}" ;
  Office ::= "office" name[] ;
  Employee ::= "employee" name[]
             "works" "in" worksIn[]
             "works" "with"
             worksWith["(", " " worksWith[])*" ;
}
```

b)

Generic Syntax vs. Custom Syntax

24



```
st.office
OfficeModel {
  name : "SoftwareTechnology"
}
elements :
  Office {
    name : "INF2080"
  }
}

elements :
  Office {
    name :
  }
}

elements :
  Employee {
    name :
    worksIn
    worksWith
  }
}

elements :
  Employee {
    name :
    worksIn
    worksWith
  }
}
```

```
st.office
officemodel SoftwareTechnology {
  office INF2080
  office INF2084
  employee Florian
  works in INF2080
  works with Jendrik
  employee Jendrik
  works in INF2084
  works with Florian
}
```

b)

40.3. Advanced Features of EMFText

25



Softwareentwicklungswerkzeuge (SEW) © Prof. Uwe Aßmann

Advanced Features – Attribute Mapping

26



Putting strings into EString attributes is easy

How about EInt, EBoolean, EFloat, ..., custom data types?

- Solution A: Default mapping
The generated classes use the conversion methods provided by Java (java.lang.Integer, Float etc.)
- Solution B: Customize the mapping using a token resolver

```
public void resolve(String lexem, EStructuralFeature feature,
ITokenResolveResult result) {
    if ("yes".equals(lexem)) result.setResolvedToken(Boolean.TRUE);
    else result.setResolvedToken(Boolean.FALSE);
}

public String deResolve(Object value, EStructuralFeature feature,
EObject container) {
    if (value == Boolean.TRUE) return "yes"; else return "no";
}
```



Advanced Features – Resolving Cross References

27

Well, quite similar to attribute mappings:

- ▶ Solution A: Default resolving Searches for matching elements that have an ID attribute, a name attribute or a single attribute of type EString and picks the first (Works well for simple DSLs without scoping rules)
- ▶ Solution B: Custom resolving Change the generated resolver class (implements IReferenceResolver<ContainerType, ReferenceType>) For examples see the resolvers for the Java language



Advanced Features – Syntax Modules

28

- Import meta models optionally with syntax
- Extend, Combine existing DSLs
- Create embedded DSLs (e.g., for Java)
- Create a template language from your DSL
- ...



```
java_templates.cs X
SYNTAXDEF java_template
FOR <http://www.emftext.org/language/java_templates>
START JavaTemplate

IMPORTS {
  java : <http://www.emftext.org/java> <.../org.emftext.language.java/metamodel1/java.metamodel1>
  WITH SYNTAX java <.../org.emftext.language.java/metamodel1/java.cs>
}

OPTIONS {
  usePredefinedTokens = "false";
  overrideManifest = "false";
}
```

Using the DSL – Interpretation vs. Compilation

29

So far we achieved to

- map input documents (text) to models
- do the inverse
-

EMFText provides an extension point to perform interpretation (or compilation) whenever DSL documents change

To use the DSL we need to assign meaning by

- ▲ Interpretation Traverse the DSL document and perform appropriate actions
- ▲ Compilation Translate the DSL constructs to another (possibly executable) language
- ▲
- ▲ (In principle compilation is an interpretation where the appropriate action is to emit code of the target language)



Challenges for MDSD

30

- ▲ Developers are required to use different tool machinery for DSLs and GPLs.
- ▲ Explicit references between DSL and GPL code are not supported. Their relations are, thus, hard to track and may become inconsistent
- ▲ DSLs can not reuse (parts of) the expressiveness of GPLs
- ▲ Naive embeddings of DSL code (e.g., in Strings) do not provide means for syntactic and semantic checking
- ▲ Interpreted DSL code is hard to debug
- ▲ Generated GPL code is hard to read, debug and maintain



Using the DSL – Interpretation vs. Compilation

31

- ▲ Create an interpreter/compiler in Java
 - Initially easy, but hard to maintain
- ▲ Use a model transformation
 - ATL, Epsilon, ...
- ▲ Use a template engine
 - DSL documents are the parameter (models)

Prof. U. Almann, Softwareentwicklungswerkzeuge (SEW)



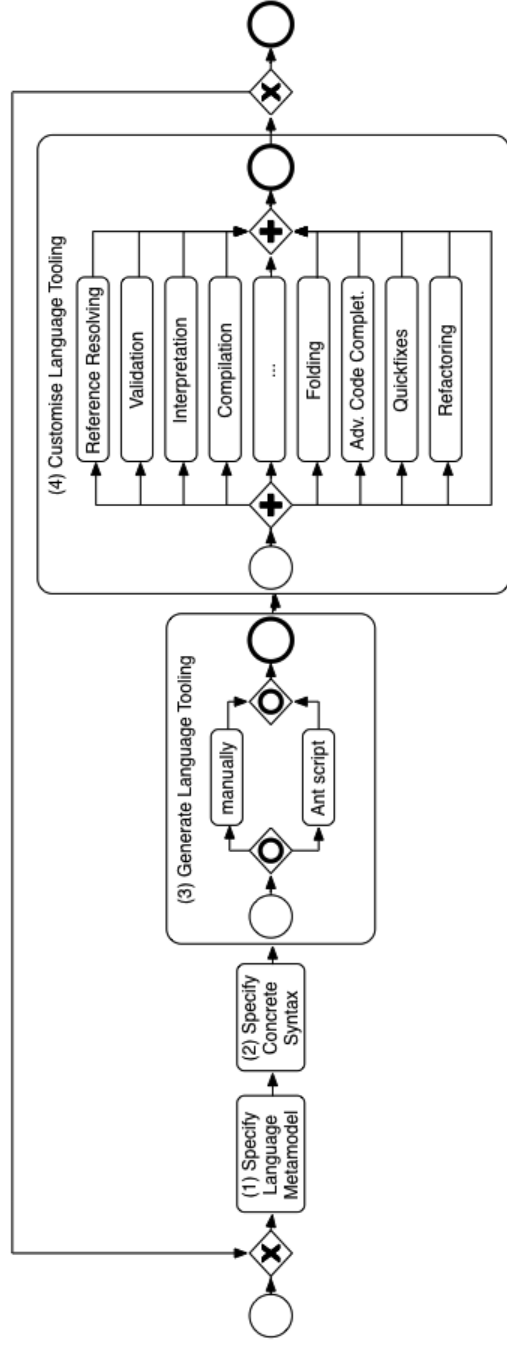
40.4. Integrating DSLs and GPLs

32

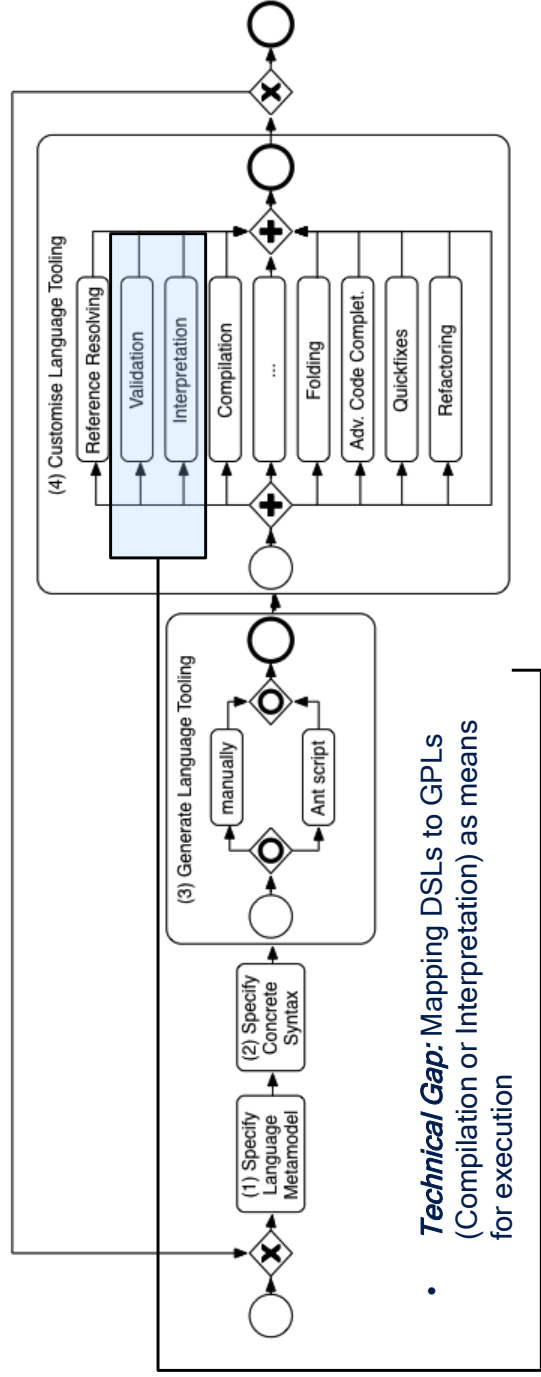


Softwareentwicklungswerkzeuge (SEW) © Prof. Uwe Almann

Integrating DSLs and GPLs



Integrating DSLs and GPLs



- **Technical Gap:** Mapping DSLs to GPLs (Compilation or Interpretation) as means for execution



40.4.1 Integrating DSLs and GPLs - Approach

35

- (1) Use EMFText to *lift* GPLs to the technical space of DSLs
- (2) Language integration by metamodel and grammar inheritance

JaMoPP: Lifting Java to TS of DSLs

36

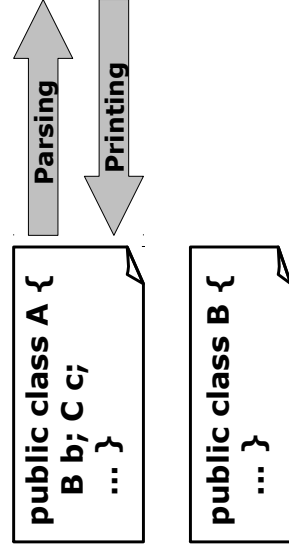
- Ingredients:
- Ecore Metamodel for Java 5 (153 concrete, 80 abstract classes)

JaMoPP Metamodel

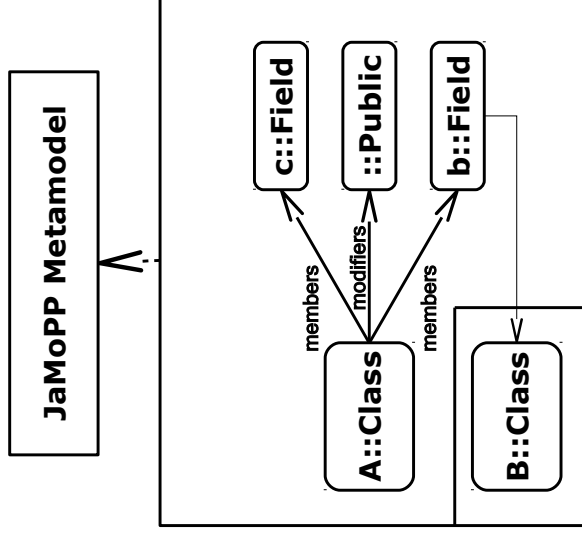
JaMoPP: Lifting Java to TS of DSLs

37

- Ingredients:
- Ecore Metamodel for Java 5 (153 concrete, 80 abstract classes)
- EMFText .cs definition for each concrete class



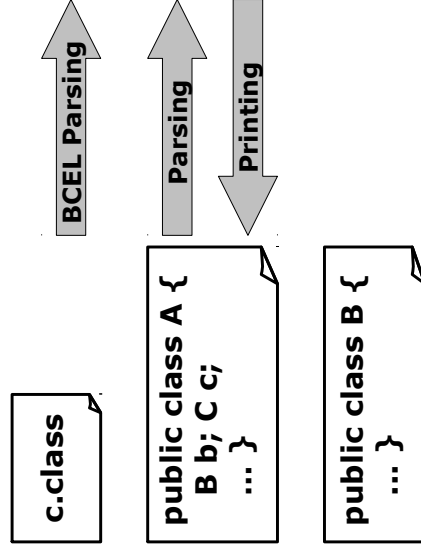
Prof. U. Almann, Softwareentwicklungswerkzeuge (SEW)



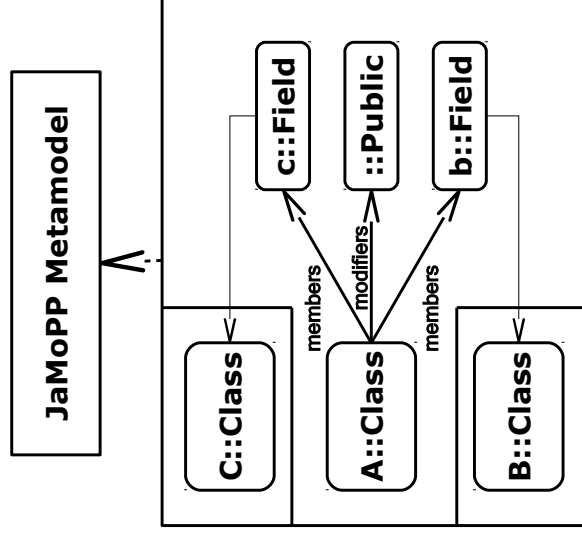
JaMoPP: Lifting Java to TS of DSLs

38

- ▶ Ingredients:
 - Ecore Metamodel for Java 5 (153 concrete, 80 abstract classes)
 - EMFText .cs definition for each concrete class
 - BCEL Bytecode-Parser – to handle third-party libraries



Prof. U. Almann, Softwareentwicklungswerkzeuge (SEW)

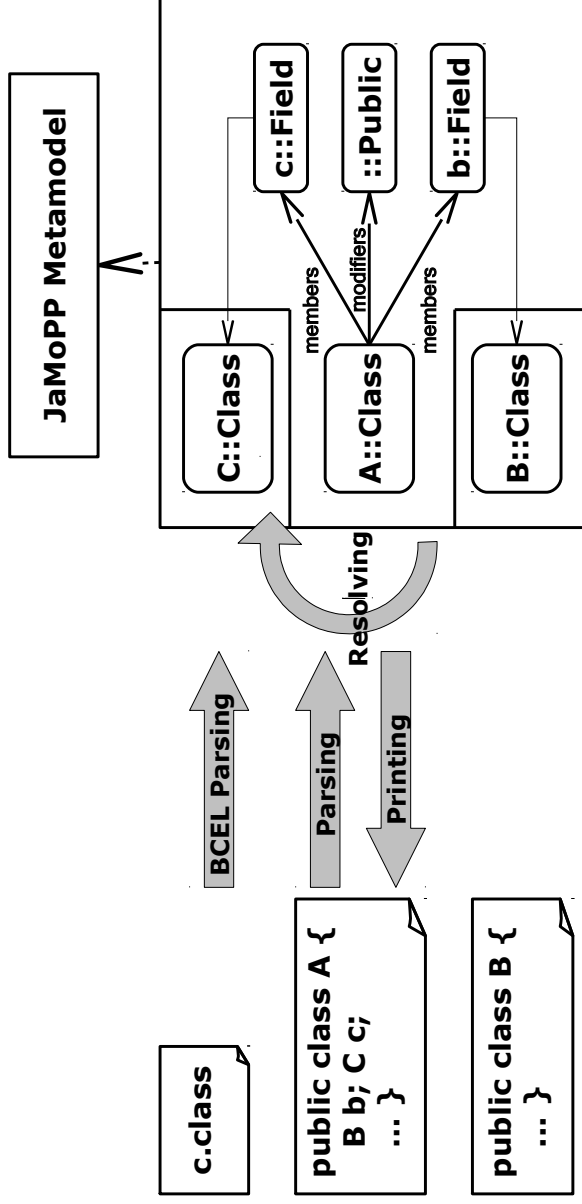


JaMoPP: Lifting Java to TS of DSLs

39

- Ingredients:
- Ecore Metamodel for Java 5 (153 concrete, 80 abstract classes)
- EMFText .cs definition for each concrete class
- BCEL Bytecode-Parser – to handle third-party libraries
- Reference Resolvers that implement java-specific scoping (static semantics)

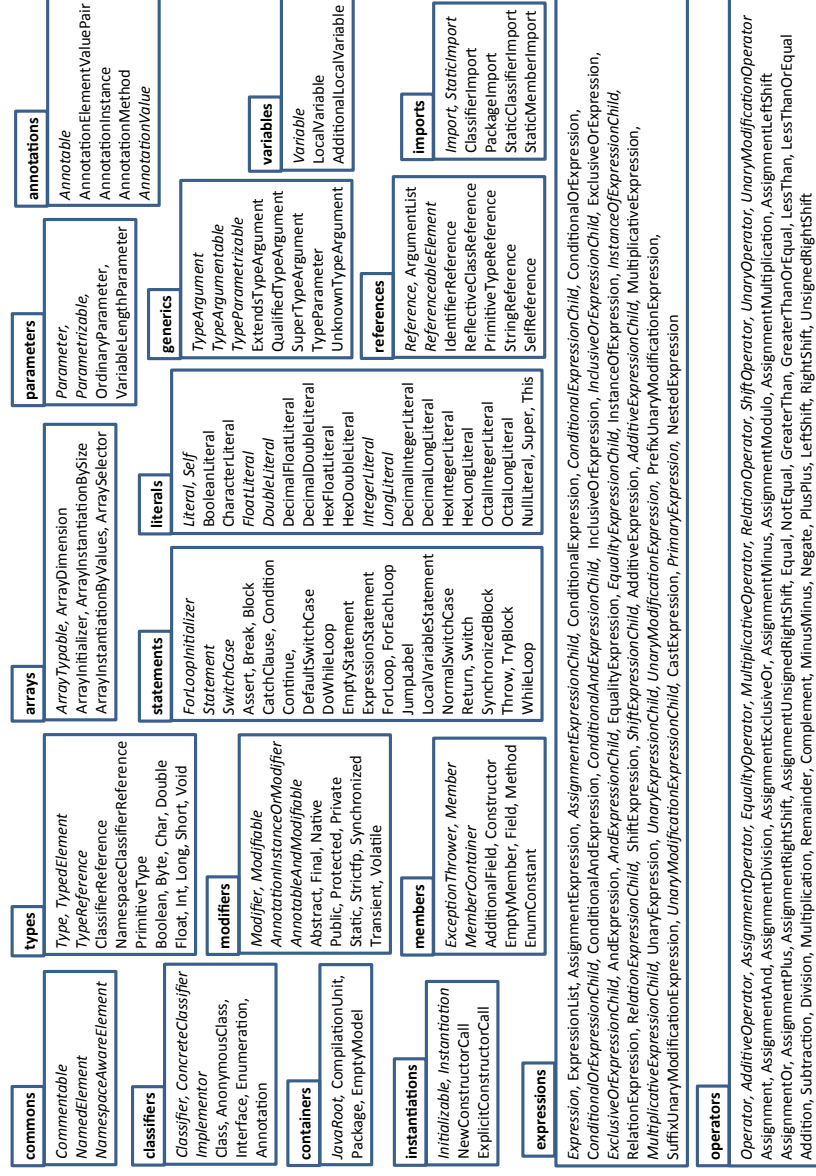
Prof. U. Almann, Softwareentwicklungswerkzeuge (SEW)



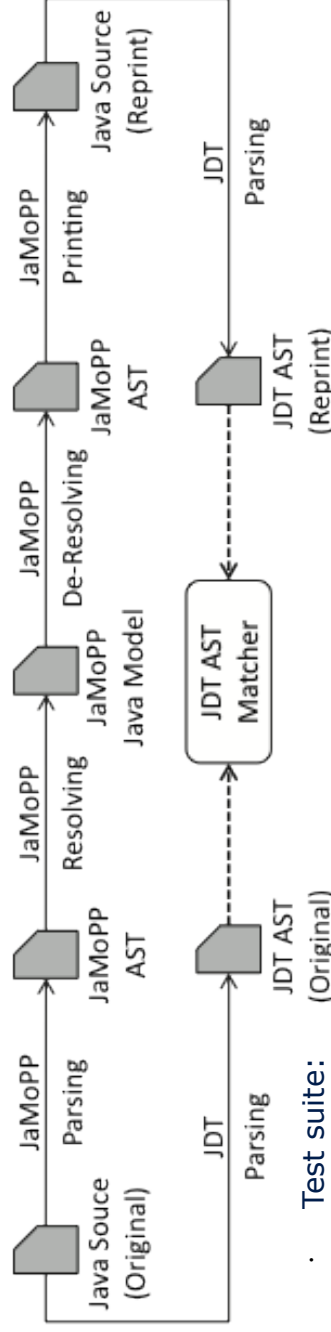
JaMoPP Metamodel

40

Prof. U. Almann, Softwareentwicklungswerkzeuge (SEW)



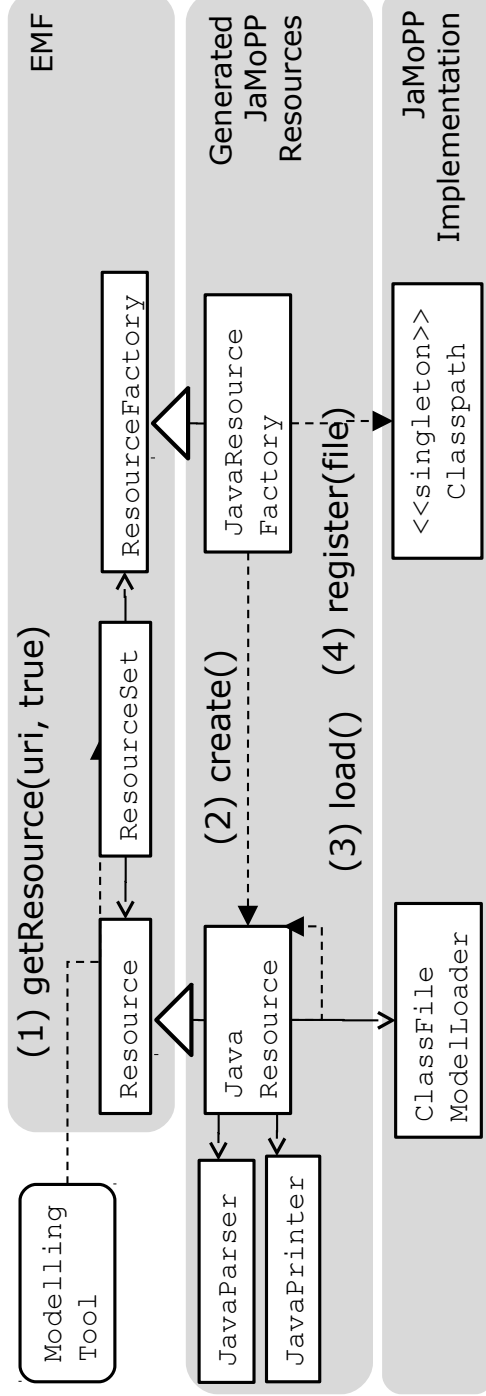
- Parsing public class A is easy, but parsing Java 5 is not (Unicode, Generics, Annotations and lots of weird things allowed by the JLS)
- We wanted JaMoPP to be complete



- Test suite:
 - 88.595 Java files (14.7 million non-empty lines including comments)
 - Open Source projects:
 - AndromDA 3.3, Apache Commons Math 1.2, Apache Struts 2.1.6, Apache Tomcat 6.0.18, Eclipse 3.4.1, Google Web Toolkit 1.5.3, JBoss 5.0.0 GA, Mantissa 7.2, Netbeans 6.5, Spring 3.0.0M1, Sun JDK 1.6.0 Update 7, XercesJ 2.9.1

JaMoPP Tool Integration

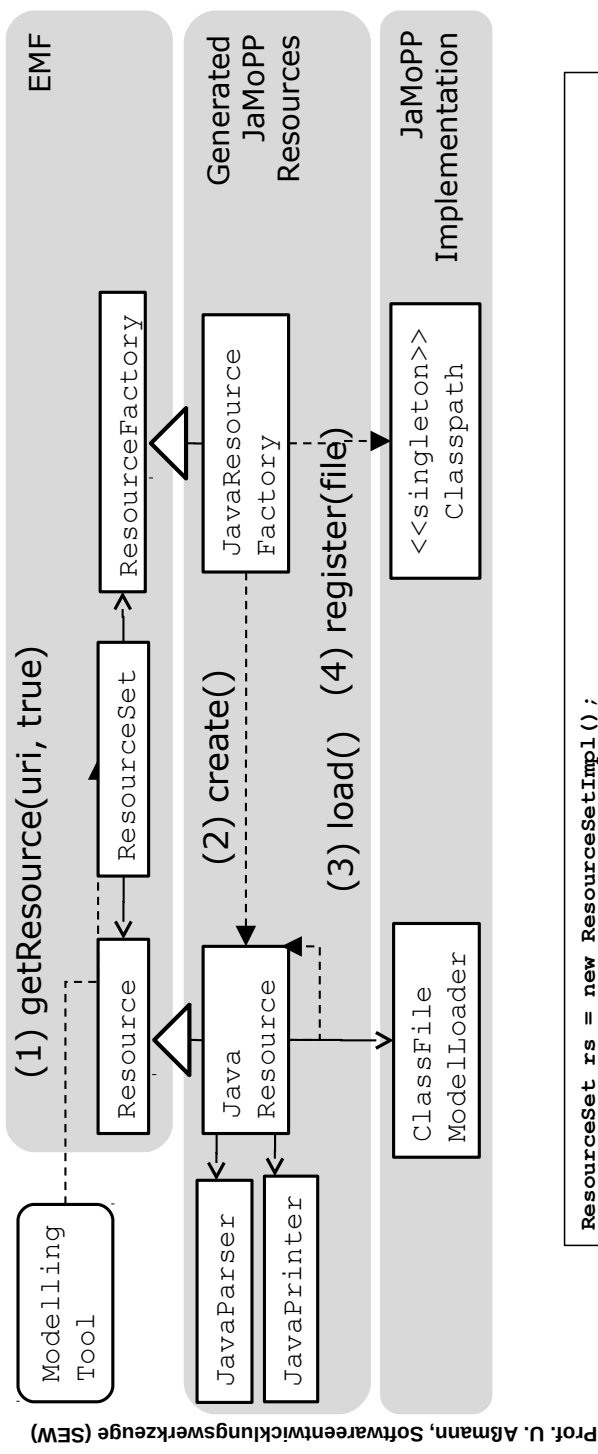
- ▶ JaMoPP seamlessly and transparently integrates with arbitrary EMF-based Tools
- ▶ Parsing Java files to models and Printing Java Files is simple



JaMoPP Tool Integration

43

- ▶ JaMoPP seamlessly and transparently integrates with arbitrary EMF-based Tools
- ▶ Parsing Java files to models and Printing Java Files is simple



Prof. U. Almamm, Softwareentwicklungswerkzeuge (SEW)

```
ResourceSet rs = new ResourceSetImpl();
Resource javaResource = rs.getResource(URI.createFileURI("A.java"), true); //parsing
javaResource.save(); // printing
```

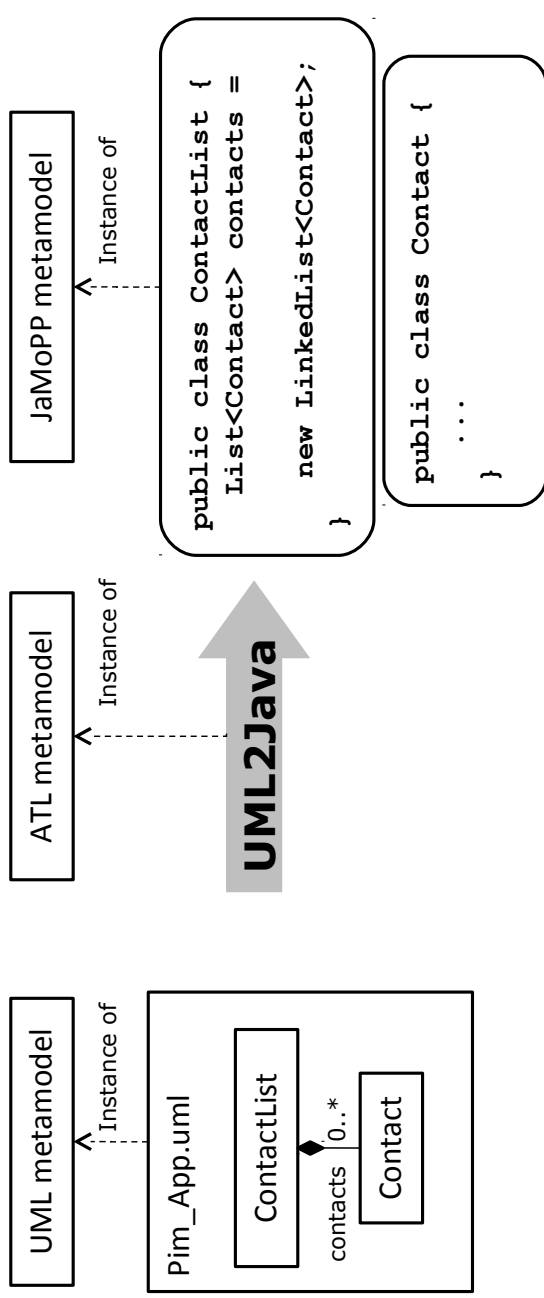


JaMoPP Application: Code Generation (ATL)

44

- Design UML model, apply M2M transformation, print JaMoPP model
- Syntactic and semantic correctness

Prof. U. Almamm, Softwareentwicklungswerkzeuge (SEW)



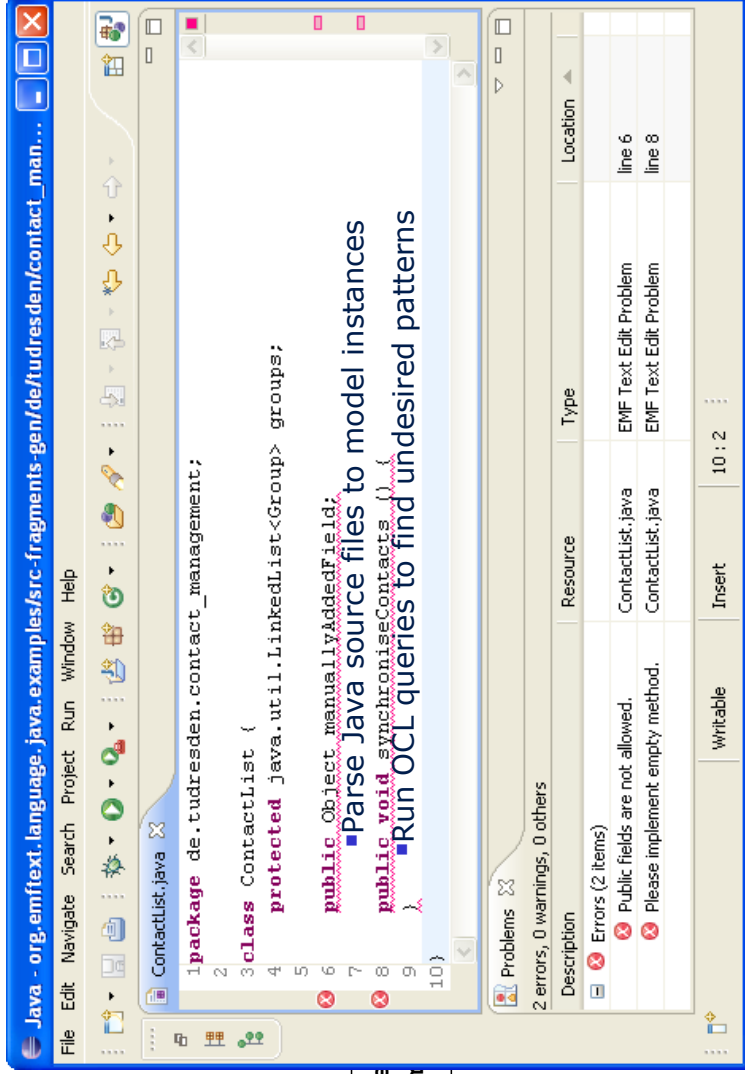
- ▶ Design UML model, apply M2M transformation, print JaMoPP model

```
rule Property {
  from umlProperty : uml!Property
  to javaField : java!Field (
    name <- umlProperty.name,
    type <- typeReference
  ),
  typeReference : java!TypeReference (
    target <- if (umlProperty.upper = 1) then umlProperty.type
    else
      java!Package.allInstances()->any(p | p.name = 'java.lang').compilationUnits->collect (
        cu | cu.classifiers)->flatten()->any(c | c.name = 'LinkedList')
    endif,
    typeArguments <- if (umlProperty.upper = 1) then
      Sequence{} -- empty type argument list
    else
      Sequence{typeArgument}
    endif
  ),
  typeArgument : java!QualifiedTypeArgument (
    target <- umlProperty.type
  )
}
```

JaMoPP Application: Code Analysis (OCL)

- ▶ Parse Java source files to model instances
- ▶ Run OCL queries to find undesired patterns

```
context members::Field inv:
  self->modifiers->select(m|m.oclIsKindOf(modifiers::Public))->size() = 0
```

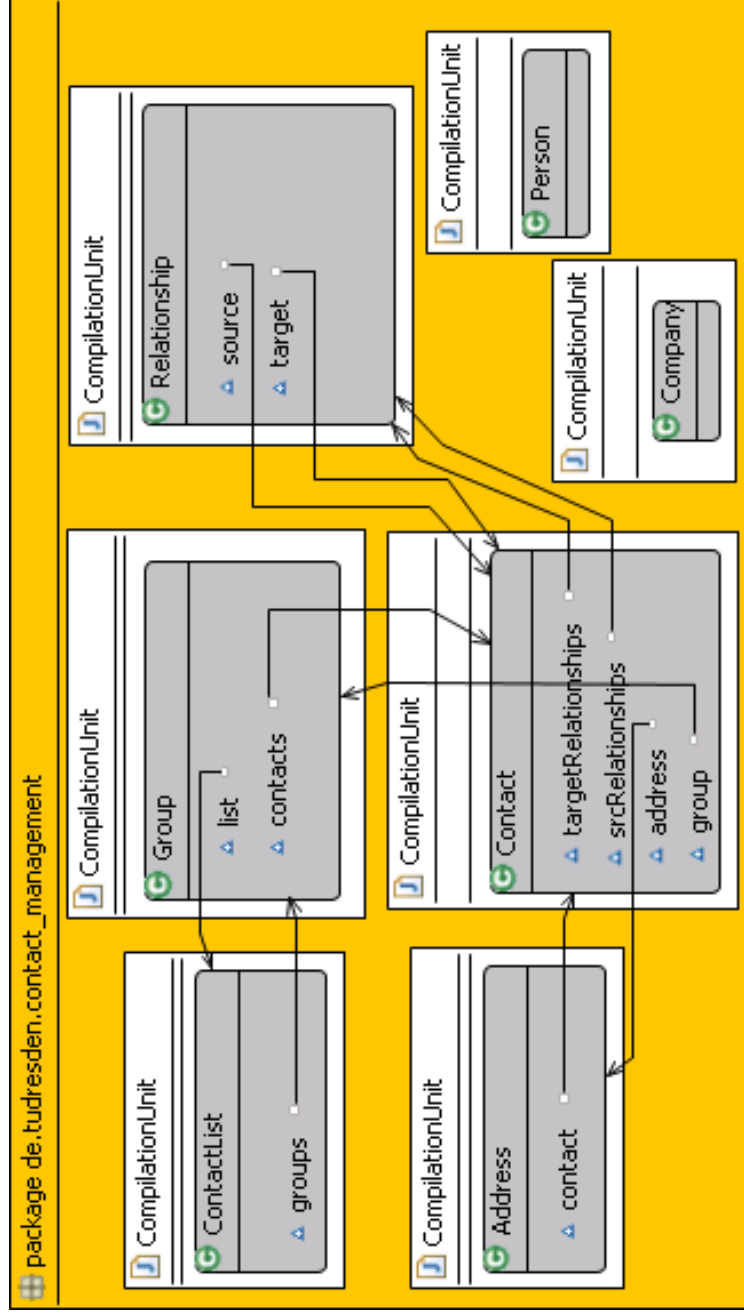


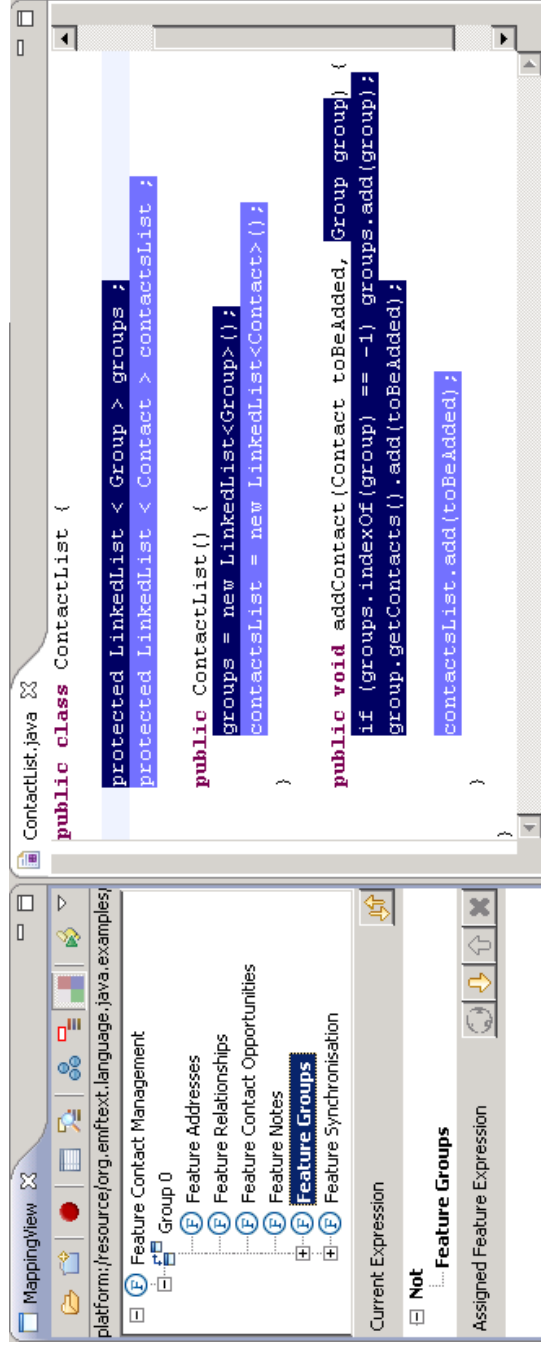
context me
self->n

= 0

JaMoPP Application: Code Visualization (GMF)

- Create .gmfgraph, gmftool, and gmfmap model
- Generate Graphical Editor for Java





JaMoPP Applications: What else?

- ▶ Typesafe Template Languages
 - Same syntax as string-based templates
- ▶ Round-trip Support for template-based code generators
- ▶ Refactoring, Optimization using model transformations
- ▶ Traceability-related activities
 - Certification (Map code to the model elements)
 - Impact analysis (How much of the code will change if I do this?)
- ▶ Model-based compilation to byte code
- ▶ ...

40.4.2 Integrating DSLs and GPLs

51

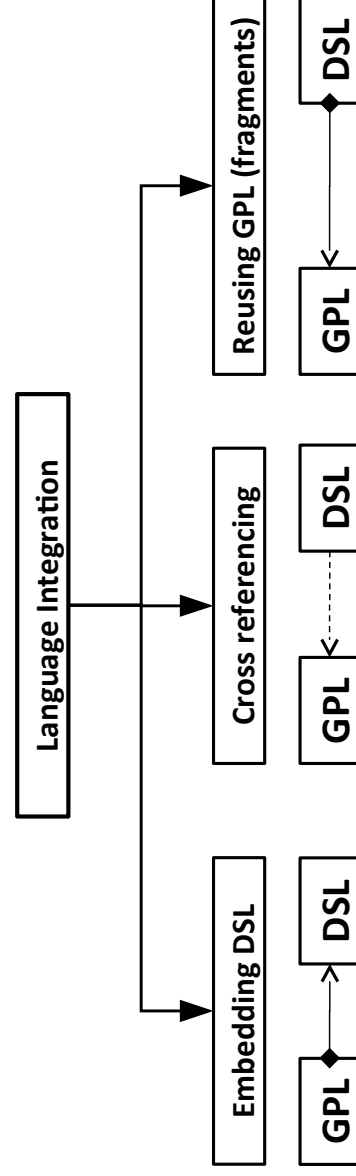
Approach

- (1) Use EMFText to *lift* GPLs to the technical space of DSLs
- (2) **Language integration by metamodel and grammar inheritance**

Integrating DSLs and GPLs

52

- ▶ Different integration scenarios



- ▶ FormsExtension
- ▶ FormsEmbedded
- ▶ JavaForms

- ▶ eJava

- Provides metamodels with Eoperations
- implementations without touching the generated java files

- ▶ JavaTemplate

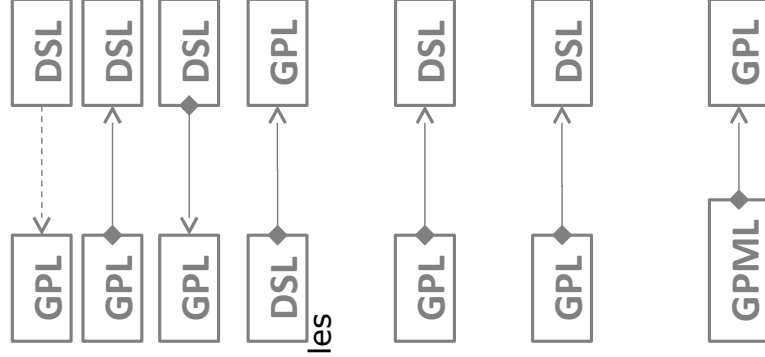
- Syntax safe templates with JaMoPP

- ▶ PropertiesJava

- Experimental extension for Java to define C# like properties

- ▶ JavaBehaviour4UML

- An integration of JaMoPP and the UML
- Methods can be directly added to Classes in class diagrams



40.5. The EMFText Syntax Zoo (>90 residents)

- ▶ Ecore, KM3 (Kernel Meta Meta Model)
- ▶ Quick UML, UML Statemachines
- ▶ Java 5 (complete), C# (in progress)

- ▶ Feature Models
- ▶ Regular Expressions
- ▶ OWL2 Manchester Syntax
- ▶ Java Behavior4UML
- ▶ DOT (Graphviz language)

...and lots of example DSLs

<http://emftext.org/zoo>

Conclusion

- Few concepts to learn before using EMFText
- Creating textual syntax for new languages is easy, for existing ones it is harder, but possible (we did Java)
- Rich tooling can be generated from a syntax definition
- Textual and graphical syntax can complement each other (e.g., to support version control)
- Semantics (Interpretation/Compilation) must be defined manually – At most it can be reused

*Language is the blood of the soul into which thoughts run
and out of which they grow.*

(Oliver Wendell Holmes)

Thank you!

Questions?

<http://www.emftext.org>

emftext